

MV-DN410-DV

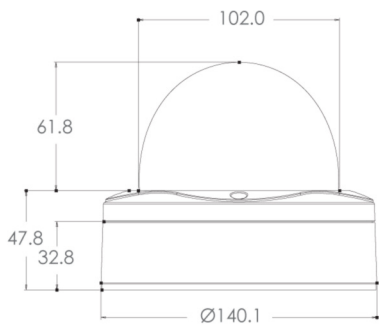
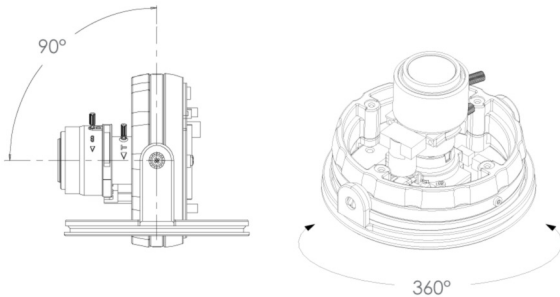


True Day/Night Vandal Resistant Dome Camera's

Our true day/night MV-DV410-DV domes will give you outstanding image quality in environments where the light level is very low. They are the ideal solution for applications such as car parks, hotels, underpasses, petrol stations, airports, public houses, etc.



MV-DN410-DV



Unit: mm

Features

- Die-cast aluminium shell with polycarbonate bubble
- Surface mount
- Indoor/Outdoor use
- Sony SuperHAD CCD
- DNR (Digital Noise Reduction)
- True Day & Night function
- Motion Detection
- Auto White Balance
- 3.3~12mm varifocal lens
- 4 privacy masking zones
- OSD Menu for configuration
- Second video output
- Service lead for easy configuration included
- dual voltage 12VDC/24VAC
- Wall Mount Bracket (Optional)

General Specifications

CCD Type	1/3" 470k Pixels Colour
Total number of pixels	795(H) X 596(V)
Min illumination	0.3 Lux/ F1.2 (50 IRE, AGC HIGH, DNR HIGH)
Resolution	520 TV Lines (Min)
Shutter speed	1/50~1/120,000 sec
Video Output	1.0Vp-p/75 ohm Composite
S/N	Ratio 50dB (AGC OFF)
Gamma	0.45
Voltage	DC 12V(10 ~ 20V) or AC24V(20 ~ 28V)
Operation Temperature	-10°C ~ +55°C
Storage Temperature	-20°C ~ +70°C

Functional Control or Adjustments

Lens	DC / MANUAL
Shutter	ESC / MANUAL / FLK
White Balance	ATW/ AWC / MANUAL ATW: 1800 °K ~ 10,500 °K
Backlight Compensation	OFF / LOW / MIDDLE / HIGH
AGC	NORMAL / HIGH / OFF (can be adjusted 1~70)
DNR (Digital Noise Reduction)	MIDDLE / HIGH / OFF / LOW
Sens-up	AUTO / OFF
Camera ID	15 characters max.
Day / Night	AUTO / COLOR / B/W / EXTERNAL
Sync System	Internal / Line Lock
Motion detection	ON / OFF ("Motion Detected" appears on the screen when movement is detected)
Privacy	ON / OFF 4 adjustable zones
Sharpness	Mirror ON / OFF ON / OFF (adjustable 0~31)

AVE (UK)
Endeavour House,
Coopers End Road,
Stansted,
Essex, CM24 1SJ

Tel: +44 (0)845 600 9323
Fax: +44 (0)845 600 9363
Email: avesales@ave-uk.com
Web: www.ave-uk.com

AVE (Europe)
123 Millennium Business Park
Ballycoolin
Dublin 11
Rep. Of Ireland

Tel: +353 (1) 8647450
Fax: +353 (1) 8647451
Email: avesales@ave-europe.eu
Web: www.ave-europe.eu

AVE (USA)
2501 Central Parkway, Suite C1
Houston,
Texas TX 77092

Tel: 281-443-2300
Fax: 281-443-8915
Email: sales@aveusa.com
Web: www.aveusa.com