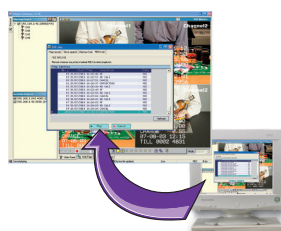
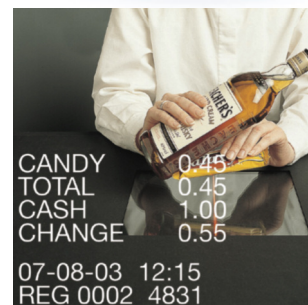


# Four Channel Triplex DVR

## MV-DR5000 (CashTrack Optional)



### SNAP SHOT OF CASHTRACK POS MENU

POS software allows:

- ✓ Remote search and viewing of suspicious events
- ✓ Easier access of recorded data
- ✓ Greater number of programmable exceptions
- ✓ Covert operation made easier

With its compact design and competitive pricing the MV-DR5000 range have a unrivalled feature set including: Secure Data backup, Motion Detection, Time/Date Search, TCP/IP LAN Connection, a choice of 160GB to 750GB HDD options, And build in CD and SD for archiving. **(Optional CashTrack Software)**

### Features

- Non PC based stable digital recorder with major digital advantages
  - Pre-Alarm recording capability
  - Network capability
- Triplex DVR allowing video recording while viewing live video
- Four channel, Quad or single display Modes
- Recording Media
  - Built-in internal hard disk
  - Critical image archiving via built-in CD and SD Card
- Compression - MJPEG
- Multiple search modes
  - Time search
  - Alarm search
  - Event search
  - CD or SD card search
  - POS/EPOS Data search (with optional Cashtrack Software)
  - Filter(thumbnail) list search
- Water marking with digital signature
- Cashtrack software (Optional)
  - for POS/EPOS data storage, Search and playback
  - Operation status record log
  - Power interrupt recovery
  - Multiple recording modes
    - Schedule recording
    - Alarm recording: (Pre-Alarm recording and Post-Alarm recording)
    - Manual recording
    - Circular recording
  - Playback Speeds
    - Frame stepping
    - 1/16X, 1/8X, 1/4X, 1/2X, 1X, 2X, 4X, 8X, 16X, 30X, 100X
  - Network Ready
    - View live or recorded images
    - Archive image as JPEG and AVI
    - Ethernet 10/100 Base-T (TCP/IP, DHCP, HTTP, SMTP)
  - User friendly Jog / Shuttle operation
  - Control multi brand PTZ camera's though network

### Detailed Specification

Resolution	<b>NTSC</b> 720x480 Pixels <b>PAL</b> 720x576 Pixels	On Screen display	Title (10 Char.) / Time and Date
Cashtrack	4 x (E)POS/ATM via VSI/REGCOM network	Playback Speeds	Frame Stepping, 1/16, 1/8, 1/4, 1/2, 1, 2, 4, 8, 16, 30 and 100 times normal speed
Video Input	Compsite Video in (BNC) x 4	Playback via	Alarm / Time / Event list / Filter (Thumbnail) / SD card
Video Output	Compsite Video out (BNC) x 1 Looping Out (BNC) x 4	Language	English / Chinese(T)
Audio In/Out	Line in / out (RCAx2), 16bits 8kHz	Set-up Menu	Multi-layer / Network setting
Compression	MJPEG	Log List	2048 Records
Storage Media	160 - 750GB / 1 x Fixed HDD	Alarm In/Out	4 Alarm Input / 1 x Alarm Output
Archive	Built-in CD and SD	Comms ports	RS-232, RS 485, and RJ45
Water mark	Digital Signature	Network interface	Ethernet (RJ45 10/100 base-Tx) x 1
Recording Rate	<b>NTSC</b> 30 ips (720x480) <b>PAL</b> 25 ips (720x576)	Network Protocol	TCP/IP, DGCP, HTTP, UDP, FTP, PPP
Image Compres.	Best (40KB) / High (32KB) Standard (21KB) / Basic (16KB)	Network Capabilities	Archive Image as JPEG View Live or Recorded images Vai Memory Card (SD) or RS-232
Recording Mode	Schedule / Manual / Alarm / Circular	Software Upgrade	Operation . Menu Setup / Remote access
Alarm Record	Event / Pre-Alarm / Post Alarm	Pass. Protection	Input 100-230V, 50/60 Hz / Output DC12V
Pre-Alarm Record	50 Pictures (20 PPS for 5 seconds)	Power Supply	220 x 89 x 320 mm EIA 19" 2U Half Size
Built in buzzer	Yes	Dimensions	Operating Temp. 5 - 40 °C (41 - 104 °F)
Motion Detection	Yes	Regulation	FCC/A, CE

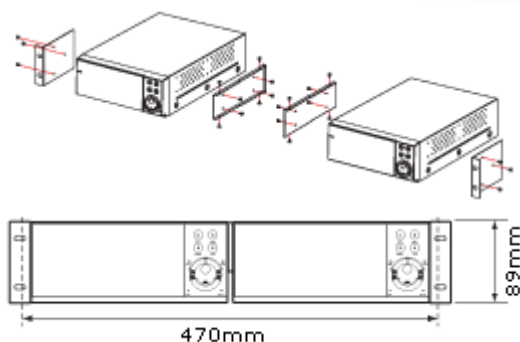
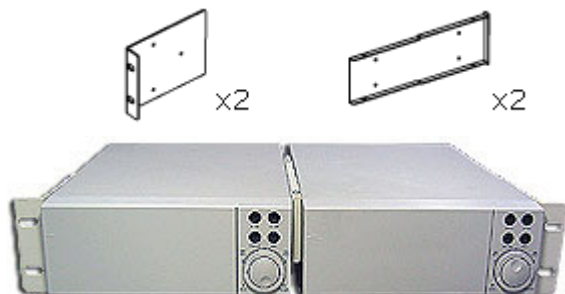
# Four Channel Triplex DVR

## MV-DR5000 Rack Mounting Kits



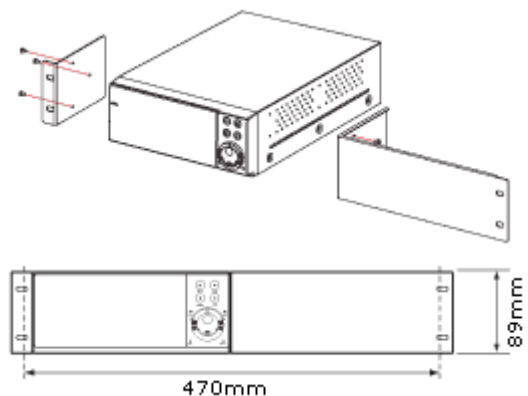
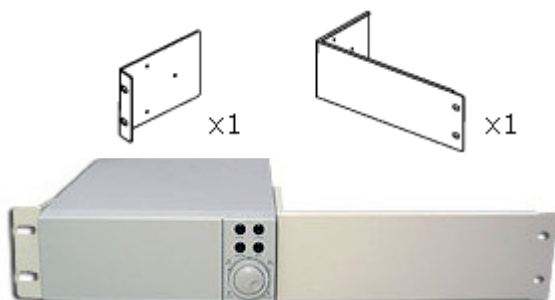
### S2000RK-00C Double Units Rack Mounting Kit

Double Units Rack-mounting Kit is four piece package



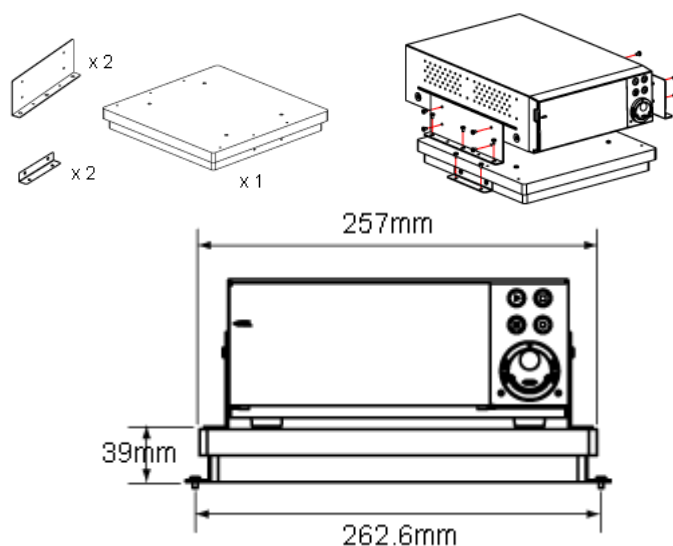
### S2000RK-00A Single Units Rack Mounting Kit

Single Units Rack-mounting Kit is two piece package



### S2000RK-00E Shockproof mounting kit

Shockproof Rack-mounting for public transit security Installations, kit is five piece package.



AVE (UK)  
Endeavour House,  
Coopers End Road,  
Stansted,  
Essex, CM24 1SJ

Tel: +44 (0)845 600 9323  
Fax: +44 (0)845 600 9363  
Email: [avesales@ave-uk.com](mailto:avesales@ave-uk.com)  
Web: [www.ave-uk.com](http://www.ave-uk.com)

AVE (Europe)  
123 Millennium Business Park  
Ballycoolin  
Dublin 11  
Rep. Of Ireland

Tel: +353 (1) 8647450  
Fax: +353 (1)8647451  
Email: [avesales@ave-europe.eu](mailto:avesales@ave-europe.eu)  
Web: [www.ave-europe.eu](http://www.ave-europe.eu)

AVE (USA)  
2501 Central Parkway, Suite C1  
Houston,  
Texas TX 77092

Tel: 281-443-2300  
Fax: 281-443-8915  
Email: [sales@aveusa.com](mailto:sales@aveusa.com)  
Web: [www.aveusa.com](http://www.aveusa.com)